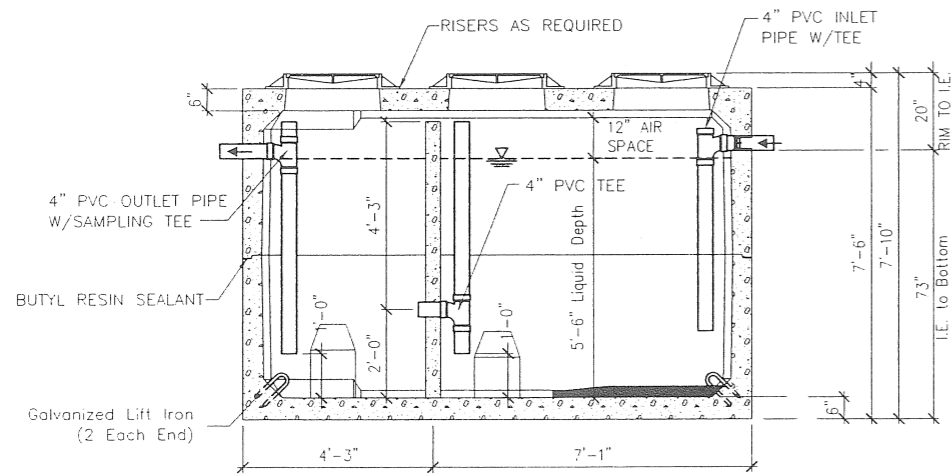


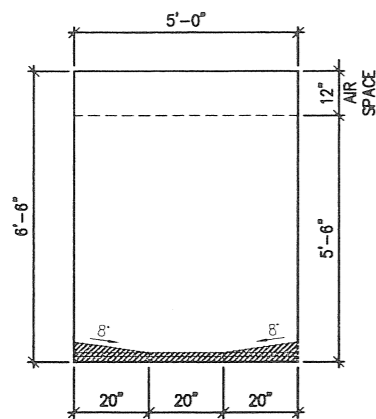
(3) - NO. 24 X 4 CASTINGS (BOLT-DOWN AND GASKETED) 24" DIA. CLEAR ACCESS
 (2) - 4-TON LIFT ANCHORS
 (4) - 4-TON LIFT ANCHORS

A PLAN VIEW - 2000 GALS
 P-4 SCALE: 1/2" = 1'-0"



B SECTION "A-A" 2000 GALS
 P-4 SCALE: 1/2" = 1'-0"

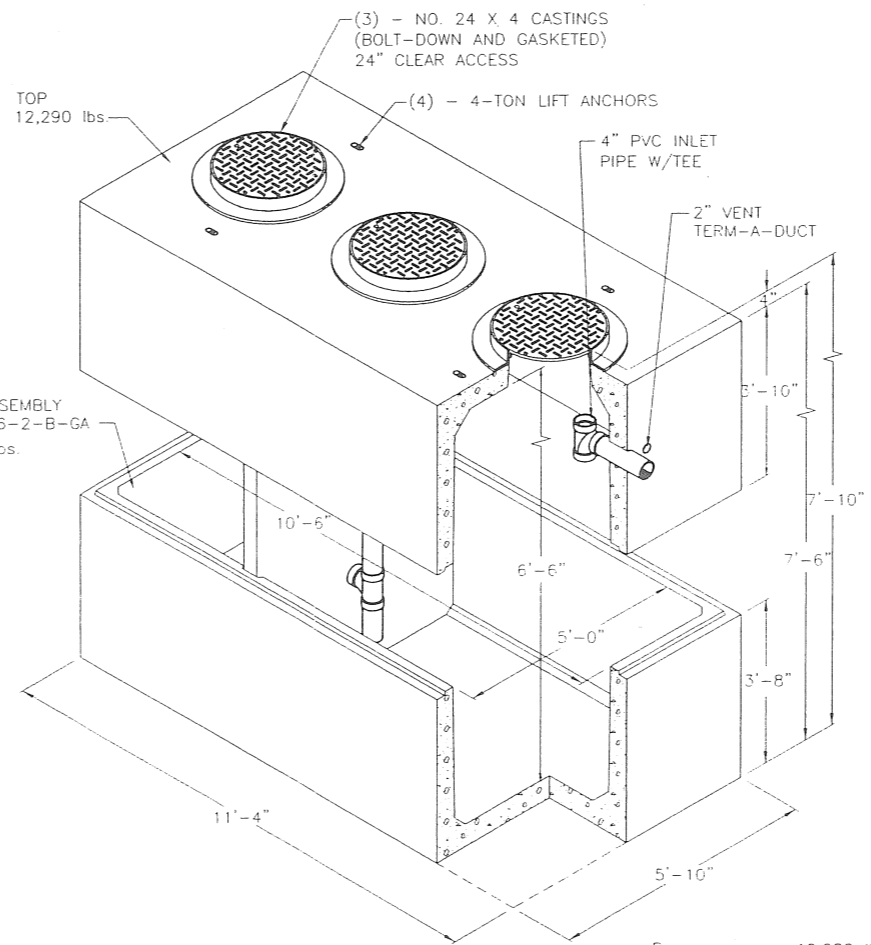
NOTES:
 1. DIVIDER WALL TO BE PRECAST CONCRETE
 2. CONTRACTOR TO SET & GROUT DIVIDER WALL. FILL WITH CLEAN WATER AFTER BACKFILLING IS COMPLETE AND PRIOR TO "START-UP" OF SYSTEM.



NOTE: DIMENSION SHOWN ARE ALL INSIDE

C FRONT END SECTION "B-B" - 2000 GALS
 P-4 SCALE: 1/2" = 1'-0"

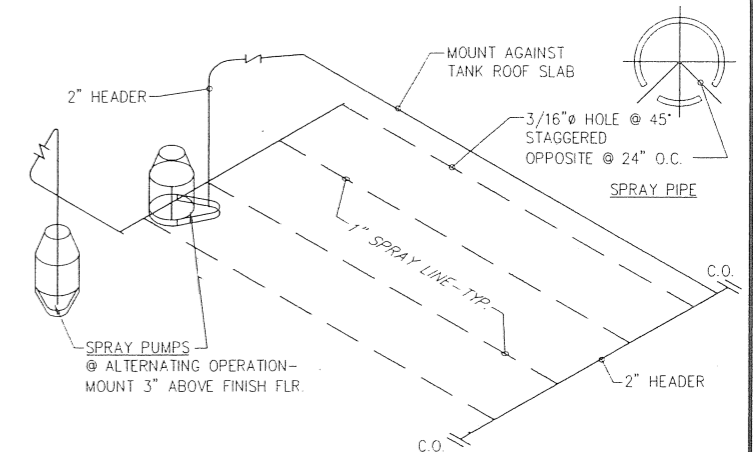
D NOT IN USE
 P-4 NOT TO SCALE



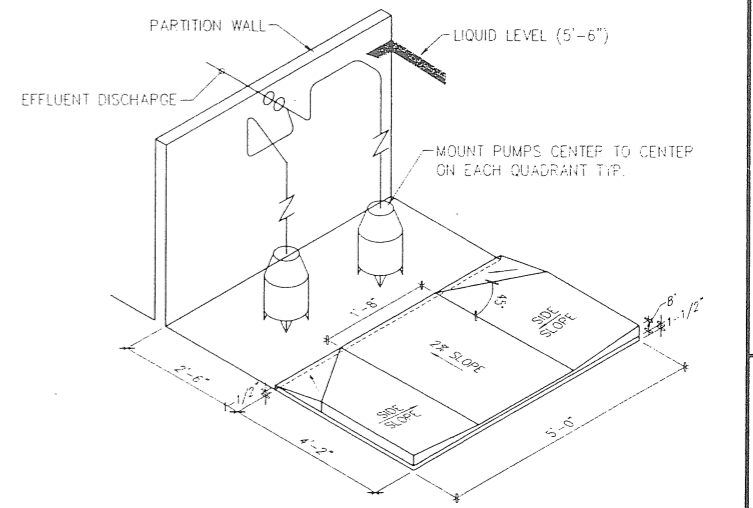
E ISOMETRIC DETAIL
 P-4 SCALE: 1/2" = 1'-0"

Base 12,280 lbs.
 Divider Wall 1,620 lbs.
 Total 13,900 lbs.

UTILITY VAULT for MULTI-CEPTOR				IAPMO LISTED		
				GROSS	Inside Net	Cap CF
Nominal Capacity	2000G	Dimension=	Length	11'-4"	10'-6"	
Wall Thickness=	5"		Width	5'-10"	5'-0"	
Liquid Depth=	5'-6"		Height	7'-6"	6'-6"	288.75
				Gallons=		2159.85
MULTICEPTOR Requirements Volume Displacements Deductions:						
Partition=	4/12X5.42X5	9.033333CF				
Primary Chamber 2% Slope=	2.60625	CF+Slope	(1/2X.08X4.167X5)	=	3.43965	CF
Sides Slopes=	1.67X3/12X4.167=			1.740975	CF	
2nd Chamber 45D sides=	1/2X3/12X(2X3.5+5)=			1.5	CF	
4 Pumps @ 0.9 CF ea					3.6	CF
Total Deduct=				19.31396	CF	Gallons= 144.4684
Net Working Volume=					2015.382	



F SPRAY SYSTEM ISOMETRIC - 2000 GALS
 P-4 NOT TO SCALE



G PRIMARY CHAMBER SLOPING DETAIL & GRINDER PUMP LOCATION
 P-4 NOT TO SCALE

2000 GALS. MULTICEPTOR (USING UTILITY VAULT 5106-2-GA IAPMO LISTED)
 MODEL MCGI 2000 (GREASE INTERCEPTOR)



THIS WORK WAS PREPARED BY ME OR UNDER MY SUPERVISION AND I AM A LICENSED PROFESSIONAL ENGINEER IN THE STATE OF NEVADA. I AM NOT PROVIDING ANY WARRANTY OR GUARANTEE FOR THE DESIGN OR CONSTRUCTION OF THIS PROJECT.

Multi-Ceptor
 5040 Edna Ave. Suite 111 Las Vegas, NV 89107
 Tel. 1702.449-0399 Fax 1940.551-4764 Cell. 808.305-4723
 email: jcornick@multiceptor.com

P-4