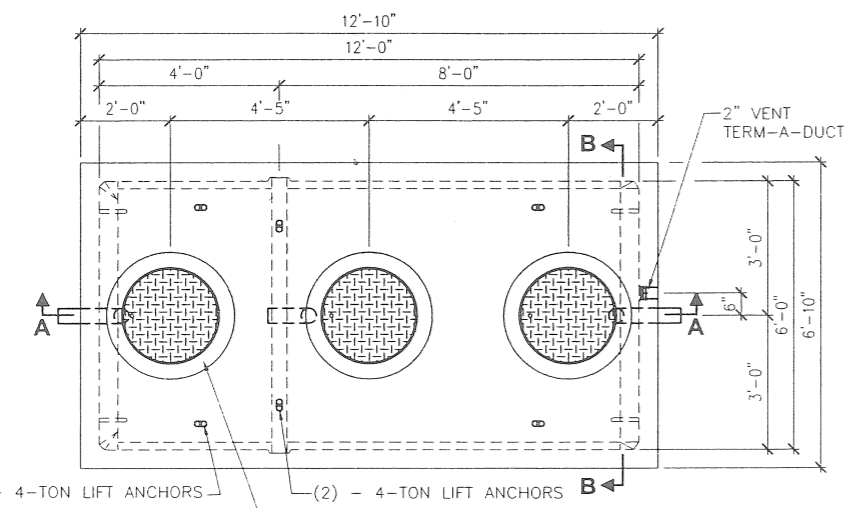
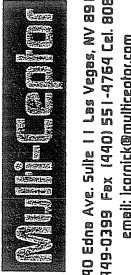


UTILITY VAULT for MULTI-CEPTOR				IAPMO LISTED		
Nominal Capacity	3100G	Dimension=	Length	GROSS	Inside Net	Cap CF
Wall Thickness=	4-3/4"		Width	12'-10"	12'-0"	
Liquid Depth=	5'-11"		Height	6'-10"	6'-0"	
				8'-2"	7'-0"	426.24
						Gallons= 3188.275
MULTICEPTOR Requirements Volume Displacements Deductions:						
Partition=	4/12X6'X5.83' =	11.66 CF				
Primary Chamber 2% Slope=	3.6225	CF+Slope	(6/2X4.83X0.096)	=	5.01354 CF	
Sides Slopes=	2X3.5/12X4.83=	2.8175	CF			
2nd Chamber 45D sides=	1/2*3/12(2*3.833+6)=	1.70825	CF			
4 Pumps @ 0.9 CF ea		3.6	CF			
	Total Deduct=	24.79929 CF	Gallons=	185.4987		
	Net Working Volume=	3002.777				

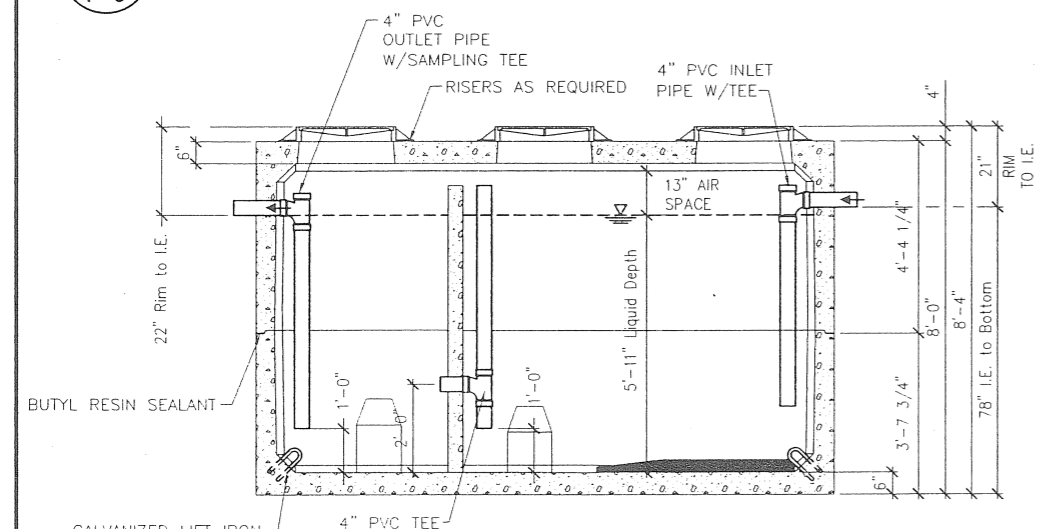


THIS WORK WAS PREPARED BY ME OR UNDER MY SUPERVISION AND WILL BE UNDER MY OBSERVATIONAL CONTROL. I AM A LICENSED PROFESSIONAL ENGINEER IN THE STATE OF NEVADA. I AM NOT PROVIDING CONTRACT ADMINISTRATION SERVICES.

5040 Edna Ave. Suite 11 Las Vegas, NV 89107
 Tel. (702) 449-0399 Fax (490) 551-4764 Cal. 808 306-4723
 email: jcarnick@multiceptor.com

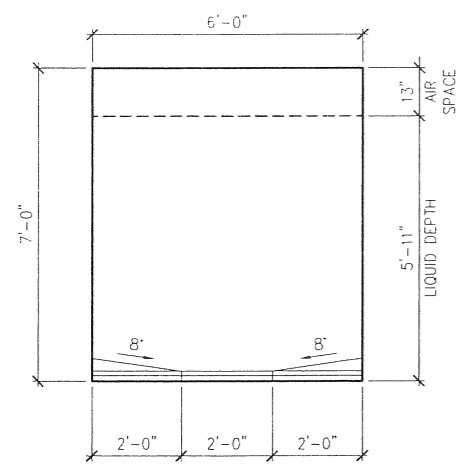


A PLAN VIEW - 3000 GALS
 P-6 SCALE: 1/2" = 1'-0"



B SECTION "A-A" 3000 GALS
 P-6 SCALE: 1/2" = 1'-0"

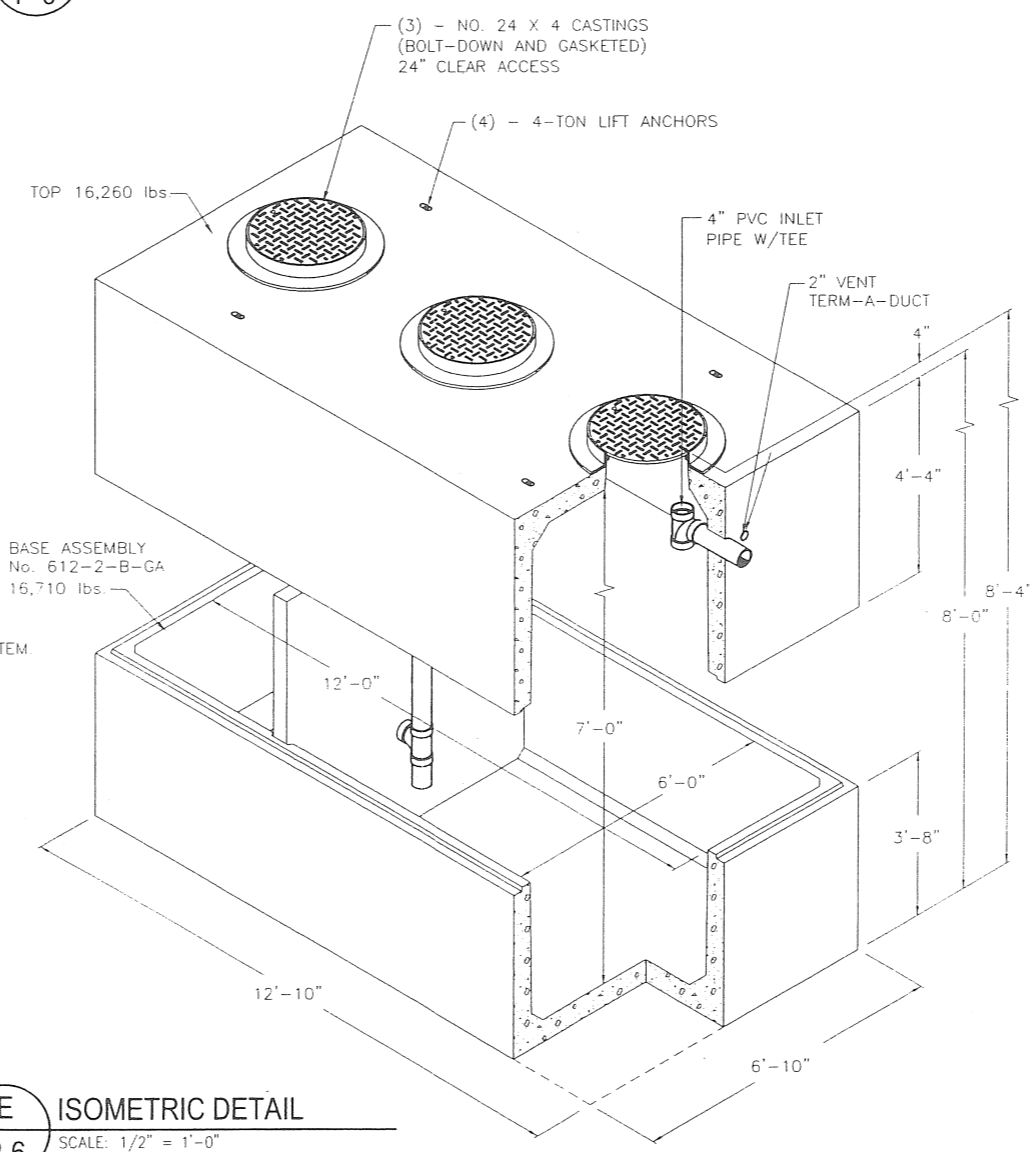
- NOTES:
 1. DIVIDER WALL TO BE PRECAST CONCRETE
 2. CONTRACTOR TO:
 SET & GROUT DIVIDER WALL.
 FILL WITH CLEAN WATER AFTER BACKFILLING IS COMPLETE AND PRIOR TO "START-UP" OF SYSTEM.



C FRONT END SECTION "B-B" - 3000 GALS
 P-6 SCALE: 1/2" = 1'-0"

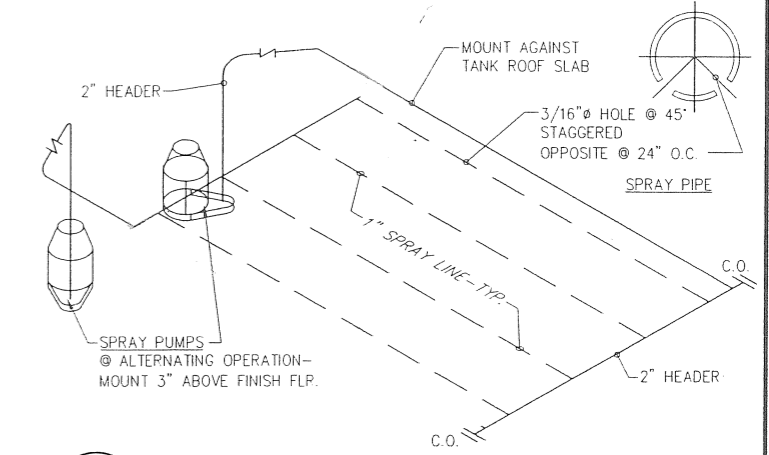
NOTE: DIMENSIONS SHOWN ARE ALL INSIDE

D NOT IN USE
 P-6 NOT TO SCALE

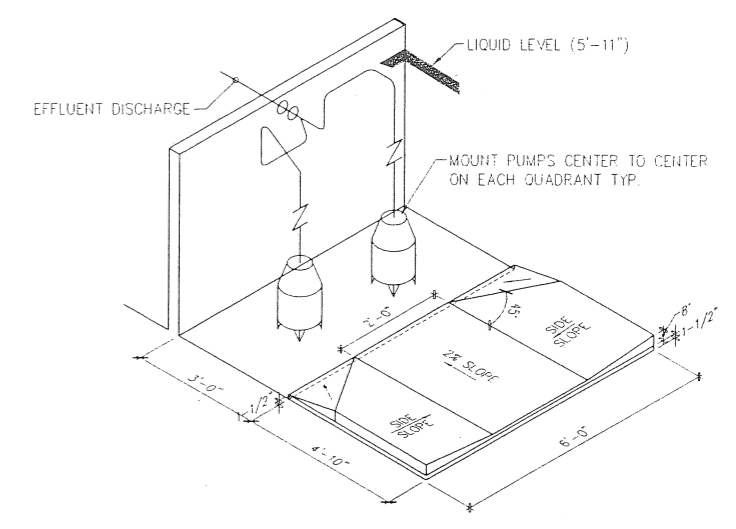


E ISOMETRIC DETAIL
 P-6 SCALE: 1/2" = 1'-0"

Base 14,740 lbs
 Divider Wall 1,970 lbs
 Total 16,710 lbs.



F SPRAY SYSTEM ISOMETRIC - 3000 GALS
 P-6 NOT TO SCALE



G PRIMARY CHAMBER SLOPING DETAIL & GRINDER PUMP LOCATION
 P-6 NOT TO SCALE

3000 GALS. MULTICEPTOR (USING UTILITY VAULT 612-2-GA IAPMO LISTED)
 MODEL MCGI 3000 (GREASE INTERCEPTOR)

P-6