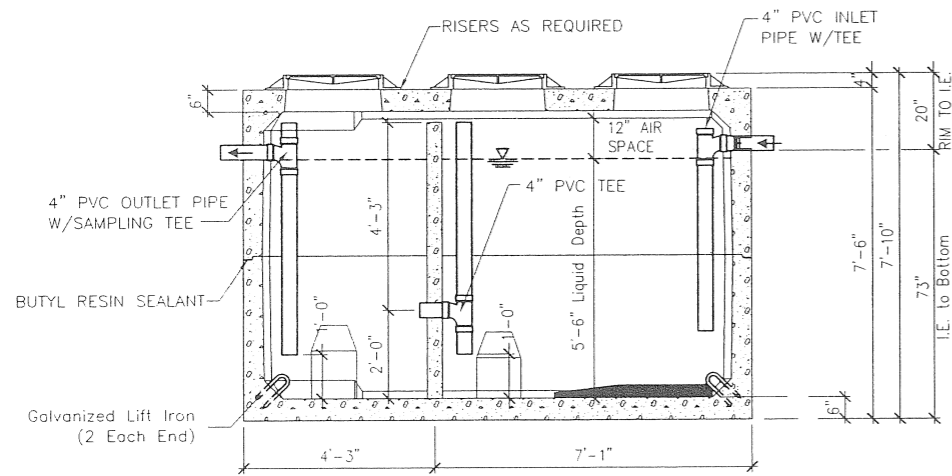


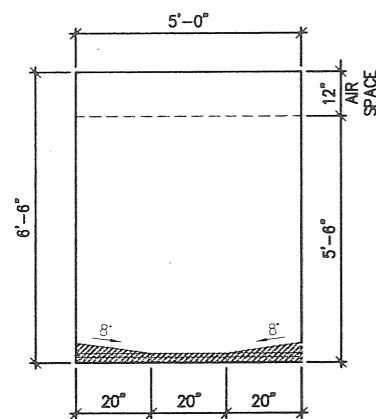
(3) - NO. 24 X 4 CASTINGS (BOLT-DOWN AND GASKETED) 24" DIA. CLEAR ACCESS
 (2) - 4-TON LIFT ANCHORS
 (4) - 4-TON LIFT ANCHORS

A PLAN VIEW - 2000 GALS
 P-5 SCALE: 1/2" = 1'-0"



NOTES:
 1. DIVIDER WALL TO BE PRECAST CONCRETE
 2. CONTRACTOR TO:
 SET & GROUT DIVIDER WALL.
 FILL WITH CLEAN WATER AFTER BACKFILLING IS COMPLETE AND PRIOR TO "START-UP" OF SYSTEM

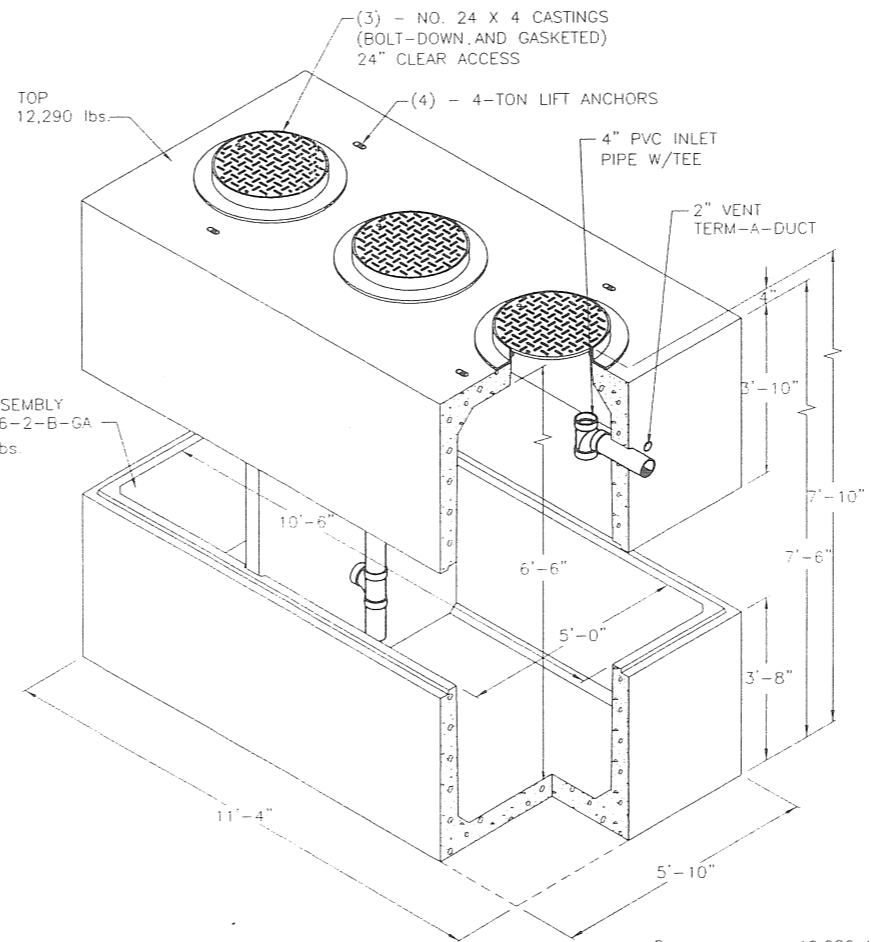
B SECTION "A-A" 2000 GALS
 P-5 SCALE: 1/2" = 1'-0"



NOTE: DIMENSION SHOWN ARE ALL INSIDE

C FRONT END SECTION "B-B" - 2000 GALS
 P-5 SCALE: 1/2" = 1'-0"

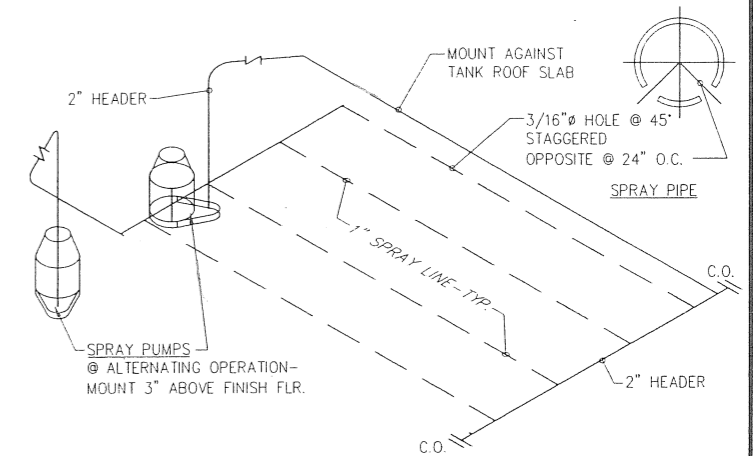
D NO IT UNSE
 P-5 NOT TO SCALE



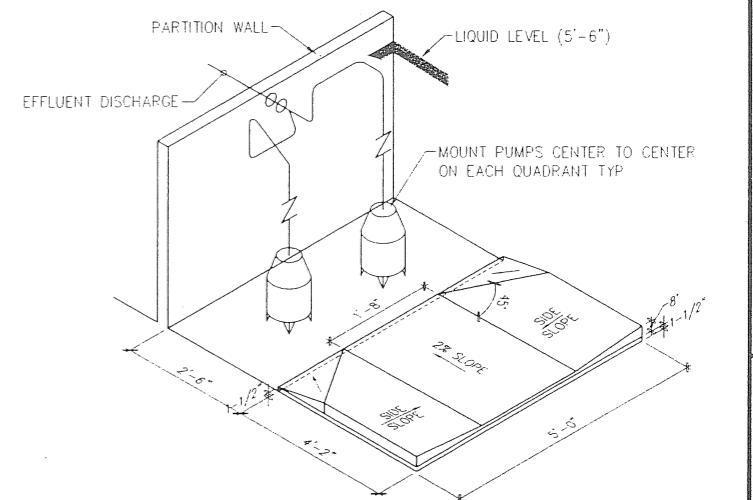
Base 12,290 lbs.
 Divider Wall 1,620 lbs.
 Total 13,900 lbs.

E ISOMETRIC DETAIL
 P-5 SCALE: 1/2" = 1'-0"

UTILITY VAULT for MULTI-CEPTOR				IAPMO LISTED			
				GROSS	Inside Net	Cap CF	
Nominal Capacity	2000G	Dimension=	Length	11'-4"	10'-6"		
Wall Thickness=	5"		Width	5'-10"	5'-0"		
Liquid Depth=	5'-6"		Height	7'-6"	6'-6"	288.75	
					Gallons=	2159.85	
MULTICEPTOR Requirements Volume Displacements Deductions:							
Partition=	4/12X5.42X5		9.033333CF				
Primary Chamber 2% Slope=	2.60625	CF+Slope	(1/2X 08X4.167X5) =	3.43965 CF			
Sides Slopes=	1.67X3/12X4.167=			1.740975 CF			
2nd Chamber 45D sides=	1/2X3/12X(2X3.5+5)=			1.5 CF			
4 Pumps @ 0.9 CF ea					3.6 CF		
Total Deduct=				19.31396 CF	Gallons=	144.4684	
					Net Working Volume=	2015.382	



F SPRAY SYSTEM ISOMETRIC - 2000 GALS
 P-5 NOT TO SCALE



G PRIMARY CHAMBER SLOPING DETAIL & GRINDER PUMP LOCATION
 P-5 NOT TO SCALE

2000 GALS. MULTICEPTOR (USING UTILITY VAULT 5106-2-GA IAPMO LISTED)
 MODEL MCWIS 2000 (WASTE INTERCEPTOR SYSTEM)

Revision

MULTI-CePTOR
 5040 Edna Ave. Suite 11 Las Vegas, NV 89107
 Tel. (702) 449-0399 Fax (402) 551-4764 Cel. 808 306-4723
 email: icornick@multiceptor.com