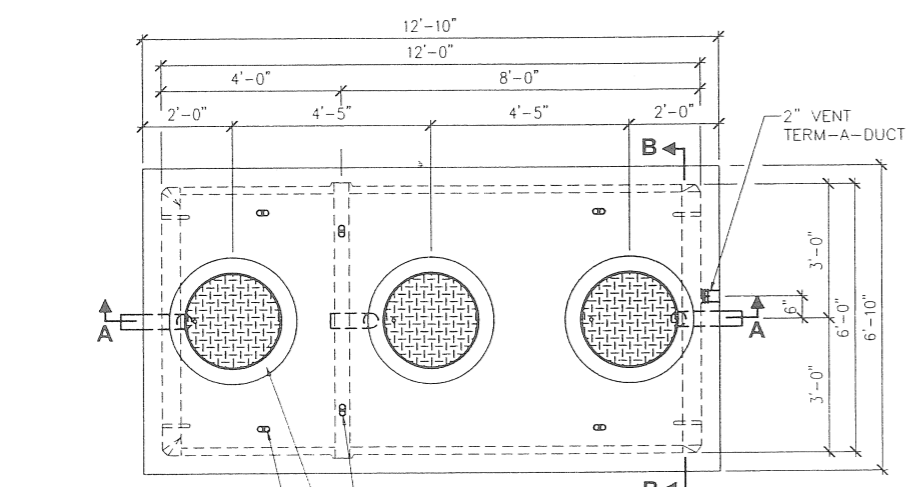


UTILITY VAULT for MULTI-CEPTOR				IAPMO LISTED		
				GROSS	Inside Net	Cap CF
Nominal Capacity	3100G	Dimension=	Length	12'-10"	12'-0"	
Wall Thickness=	4-3/4"		Width	6'-10"	6'-0"	
Liquid Depth=	5'-11"		Height	8'-2"	7'-0"	426.24
				Gallons=		3188.275
MULTICEPTOR Requirements Volume Displacements Deductions:						
Partition=	4/12X6'X5.83' = 11.66 CF					
Primary Chamber 2% Slope=	3.6225	CF+Slope	(6/2X4.83X0.096) =	5.01354	CF	
Sides Slopes=	2X3.5/12X4.83=			2.8175	CF	
2nd Chamber 45D sides=	1/2*3/12(2*3.833+6)=			1.70825	CF	
4 Pumps @ 0.9 CF ea				3.6	CF	
Total Deduct=				24.79929	CF	Gallons= 185.4987
				Net Working Volume=		3002.777

Revision

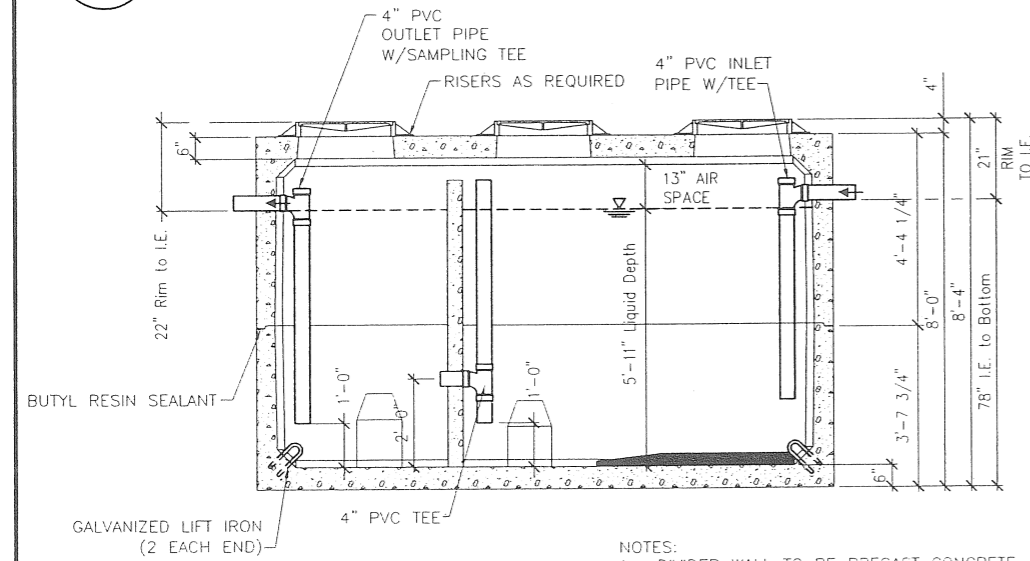
THIS WORK WAS PREPARED BY ME FOR THE CONSTRUCTION OF THIS PROJECT. I WILL BE RESPONSIBLE FOR ANY OMISSIONS, ERRORS, OR CONFLICTS WITH ANY OTHER DOCUMENTS, SPECIFICATIONS, STANDARDS, OR REGULATIONS, UNLESS INDICATED OTHERWISE.

PROF. J. J. CORNICK, P.E.
MECHANICAL
11/23/09



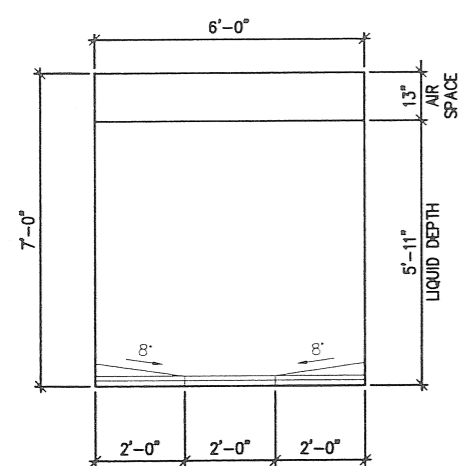
(4) - 4-TON LIFT ANCHORS
(3) - NO. 24 X 4 CASTINGS (BOLT-DOWN AND GASKETED)

A PLAN VIEW - 3000 GALS
SCALE: 1/2" = 1'-0"



B SECTION "A-A" 3000 GALS
SCALE: 1/2" = 1'-0"

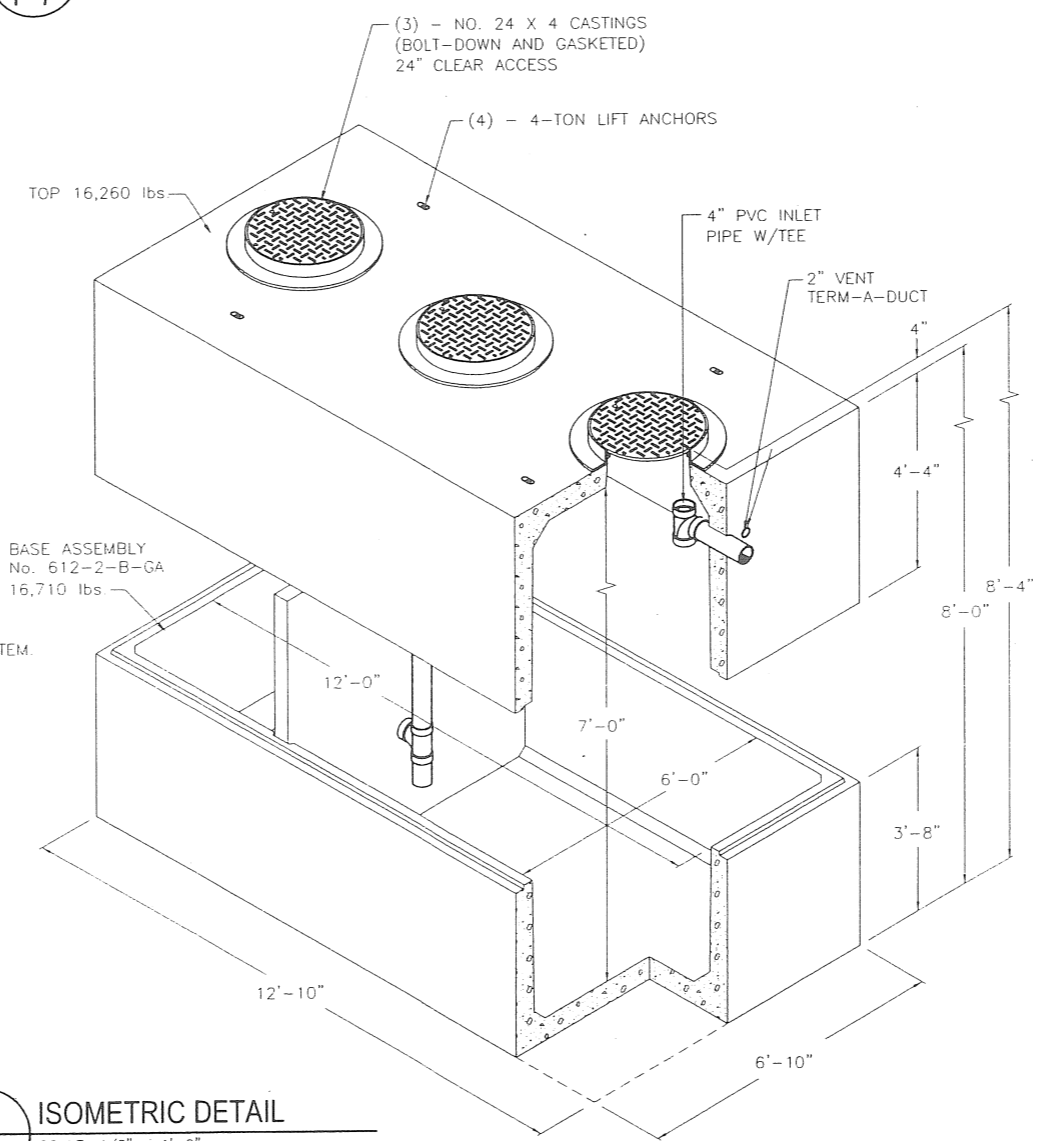
NOTES:
1. DIVIDER WALL TO BE PRECAST CONCRETE
2. CONTRACTOR TO SET & GROUT DIVIDER WALL. FILL WITH CLEAN WATER AFTER BACKFILLING IS COMPLETE AND PRIOR TO "START-UP" OF SYSTEM.



C FRONT END SECTION "B-B" - 3000 GALS
SCALE: 1/2" = 1'-0"

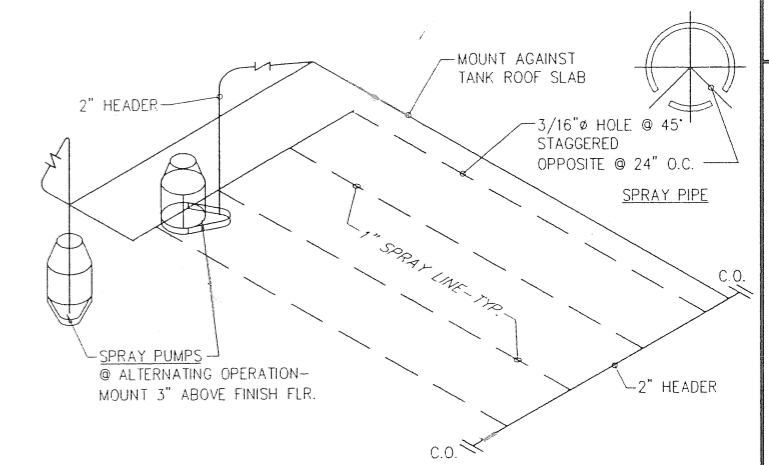
NOTE: DIMENSIONS SHOWN ARE ALL INSIDE

D NOT IN USE
SCALE: NOT TO SCALE

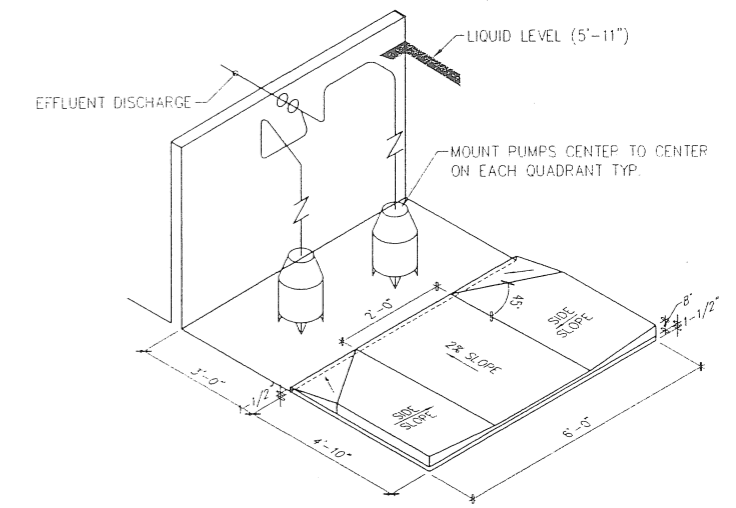


E ISOMETRIC DETAIL
SCALE: 1/2" = 1'-0"

Base 14,740 lbs.
Divider Wall 1,970 lbs.
Total 16,710 lbs.



F SPRAY SYSTEM ISOMETRIC - 3000 GALS
SCALE: NOT TO SCALE



G PRIMARY CHAMBER SLOPING DETAIL & GRINDER PUMP LOCATION
SCALE: NOT TO SCALE

3000 GALS. MULTICEPTOR (USING UTILITY VAULT 612-2-GA IAPMO LISTED) MODEL MCWIS 3000 (WASTE INTERCEPTOR SYSTEM)

Multicaptor
5040 Edna Ave. Suite 11 Las Vegas, NV 89107
Tel. (702) 449-0399 Fax (401) 551-4764 Cel. 808 306-4723
email: jcornick@multicaptor.com

P-7